



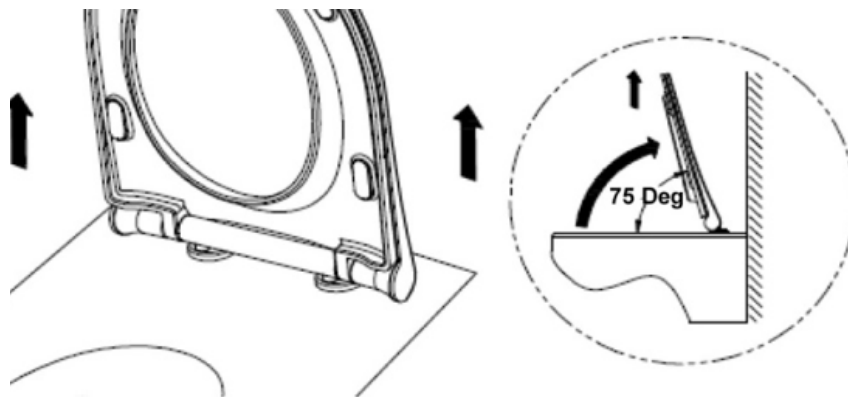
IMPORTANT SPECIAL INSTRUCTIONS

PLEASE READ ON HOW TO CORRECTLY REMOVE THE SEAT OFF THE HINGE



To remove your seat for cleaning simply:

1. Lift the seat and lid together raising them to about 75° (not fully upright) and pull upwards to release the seat from the hinge plate pegs as exemplified below



2. After cleaning locate the seat pegs into the holes on the back of the seat and push down until fully engaged.

It's That Simple!!!

Thank you for purchasing model Talia from Family Seat